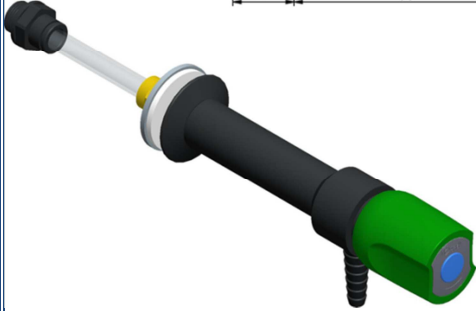
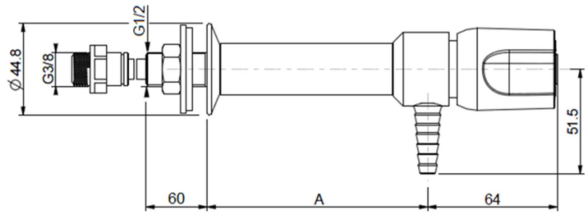


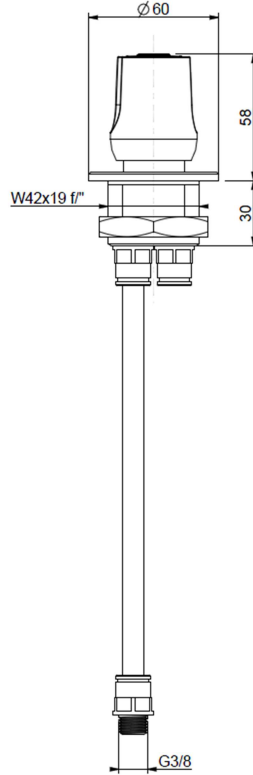
POLYPROPYLENE TAPS

PP1020 WALL-MOUNTED TAP

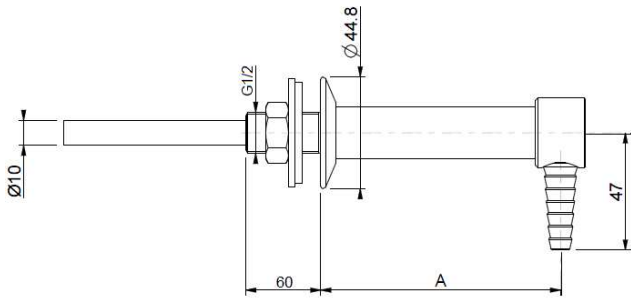


A
100
150
200
250

PP1050 REMOTE CONTROL

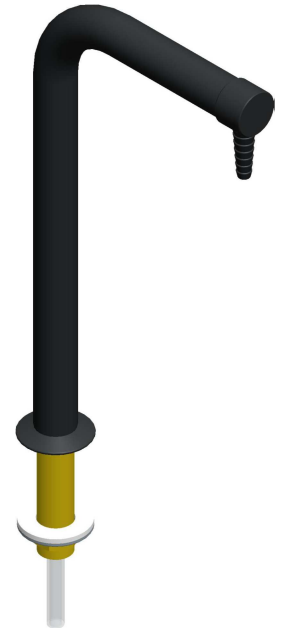
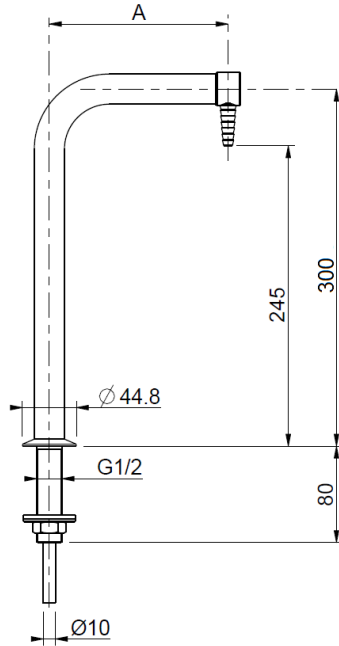


PP1052 90° WALL-MOUNTED SPOUT



A
100
150
200
250

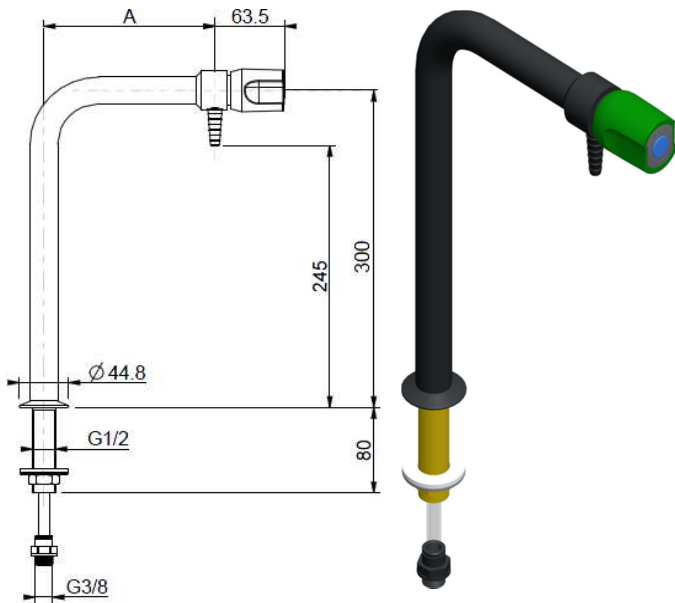
PP1053 BENCH-MOUNTED FIXED SPOUT



A
150
200
250

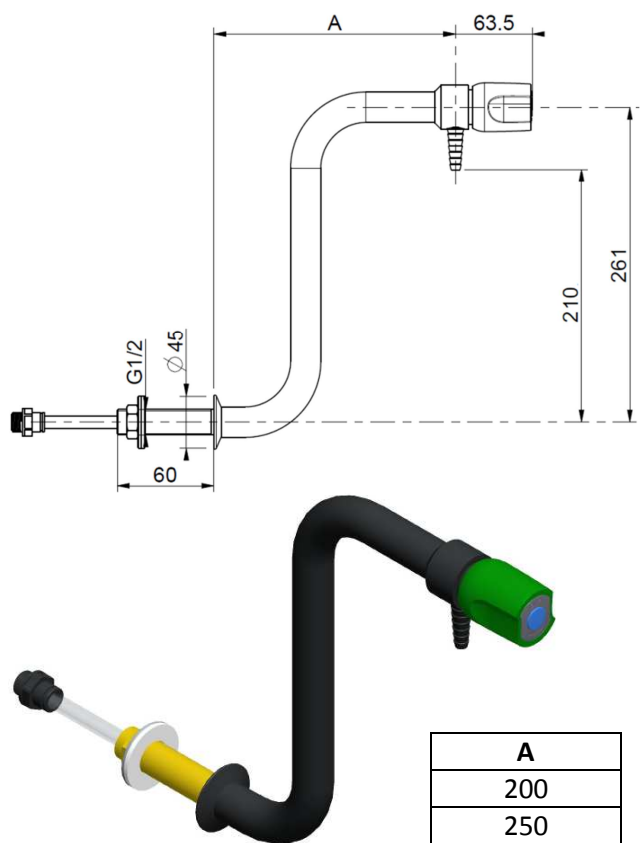
POLYPROPYLENE TAPS

PP1062 L COLUMN



A
150
200
250

PP1079 WALL-MOUNTED L COLUMN



A
200
250

TECHNICAL DATA :

Faucet , fixed nozzle and handles in polypropylene.

Handles color according to EN13792.

Head valve with oil bath and EPDM seal, with chemical nickel-plated treatment .

Internal flexible tube PE LD Ø 10 x 1,5 mm. with 3/8" junction.

Color black RAL9005



fratelli CREVOLA